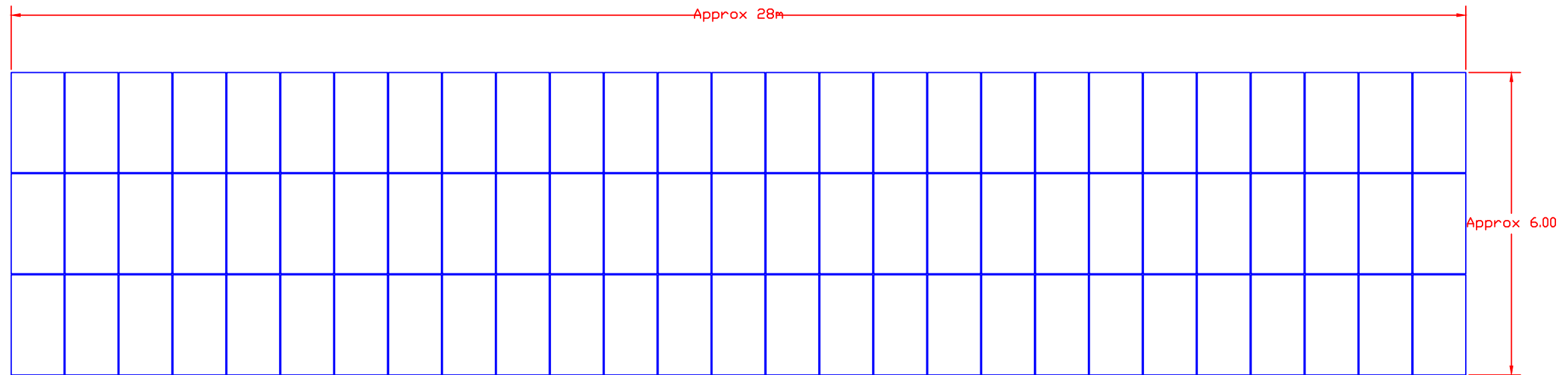
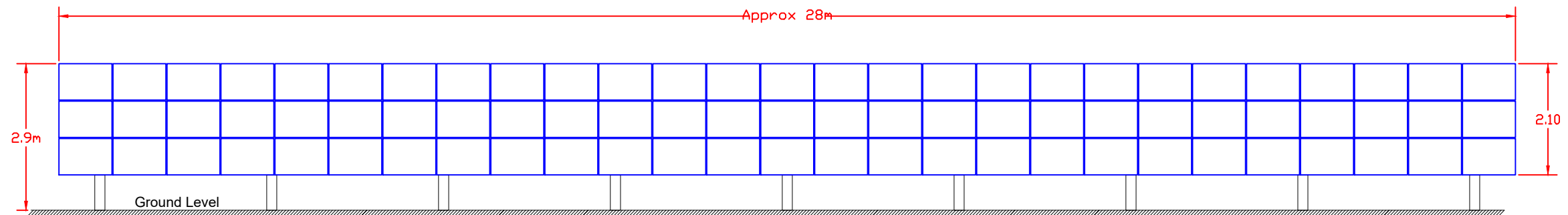


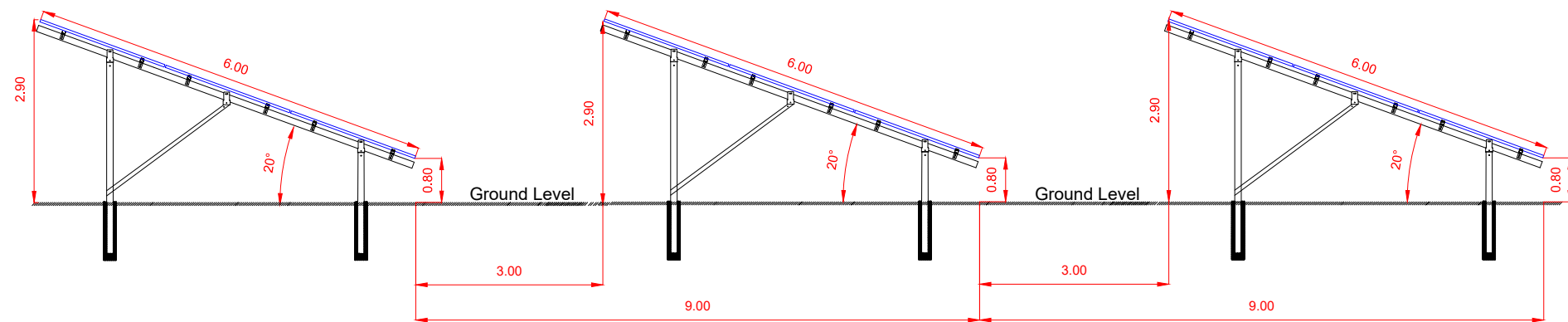
Plan Elevation



Front Elevation



Side Elevation



New Works Solar Farm

Typical Elevations Plan 1
- Solar Panels

greentech
we service | new energy

Scale:
1:100@A3
Drawing-No.
2020_0001_01
2021-4-30